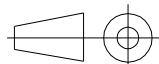
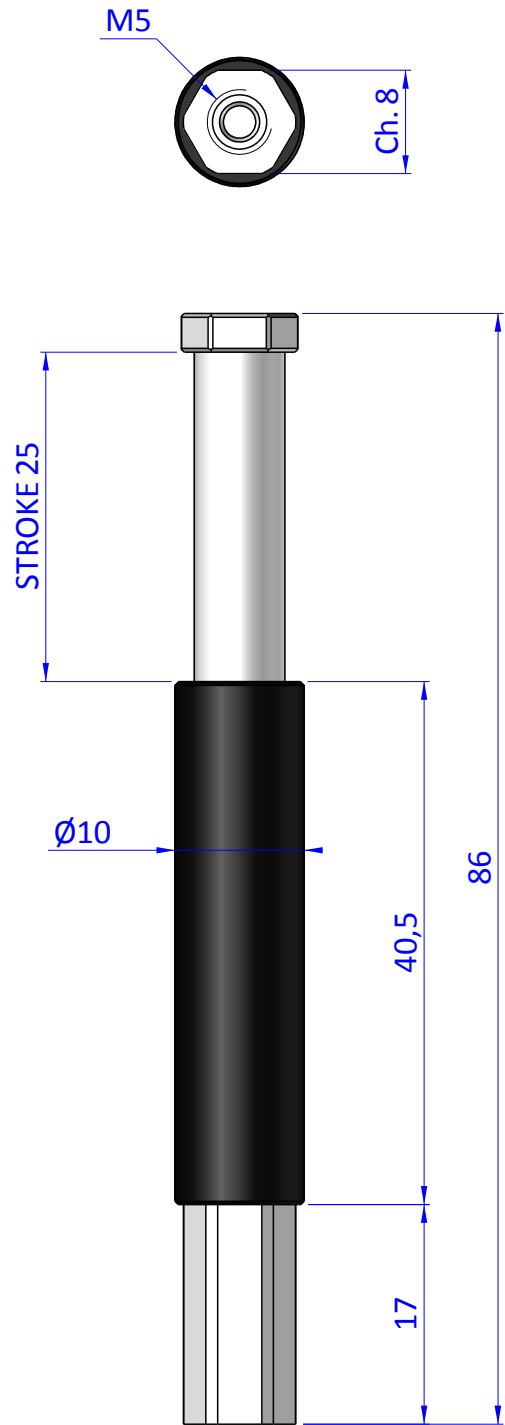
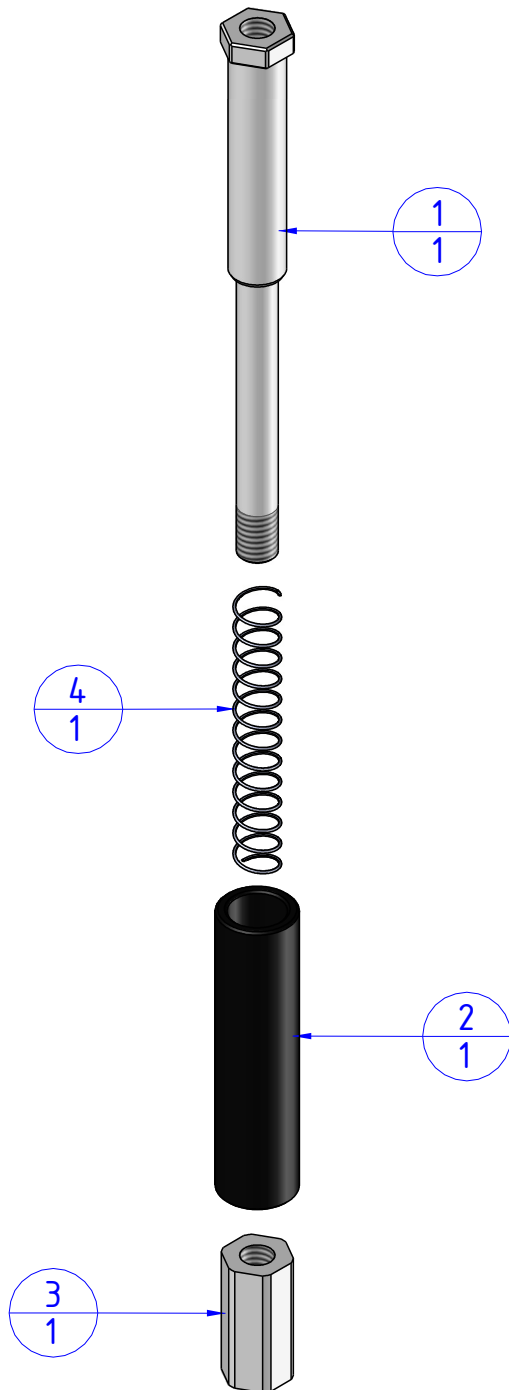


THE PROPERTY OF THE DRAWING IS ESTABLISHED BY LAW. IT IS FORBIDDEN TO PRODUCE OR SHOW IT TO THIRD PART. WITHOUT A WRITTEN AGREEMENT.

Item	Name	Q.ty
1	SDR.1025.01	1
2	SDR.1025.02	1
3	VSN.10.1	1
4	M.5.8X38.50B	1



DESIGNED FROM <b>FP SERVICES</b>		REVIEW <b>A / 9</b>
DATE <b>11/02/2019</b>	WEIGHT <b>0,011kg</b>	
CODE <b>CA.SDR.1025</b>		

Format **A4**  
UNI 936-76

GENERAL TOLERANCE  
UNI - ISO 2768  
CLASSE f

DESCRIPTION  
**CA.SDR.1025**